

Infection Prevention & Control



Winnipeg Regional  
Health Authority  
*Caring for Health*

Office régional de la  
santé de Winnipeg  
*À l'écoute de notre santé*

# **Infection Prevention and Control During Construction, Renovation, and Maintenance**

# Disclosure

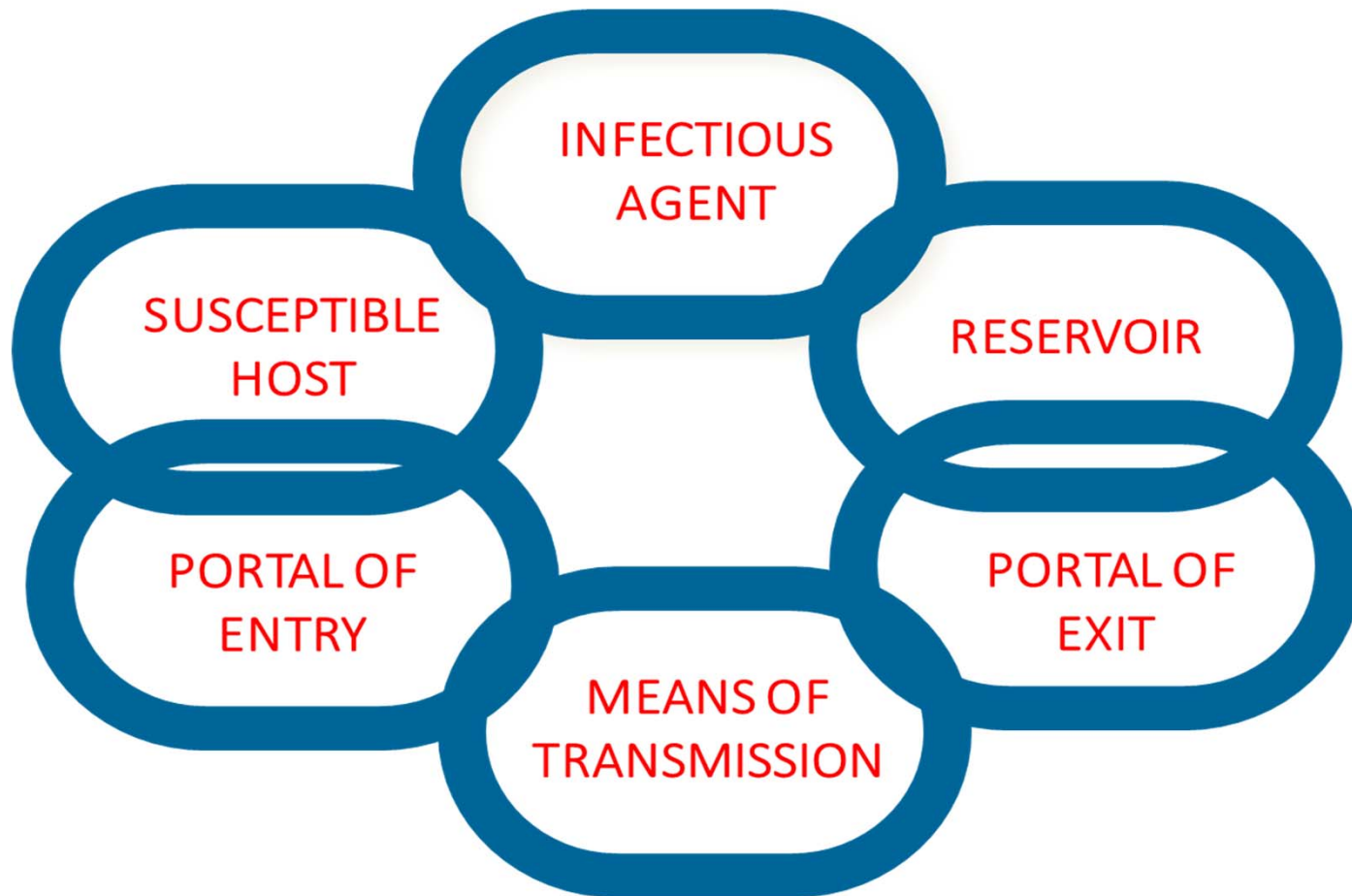
- Nothing to disclose



# Routine Practices

- **Routine Practices** are basic infection prevention and control measures expected for the care of **all patients** at **all times** in **any healthcare setting**
- Consistently following Routine Practices *reduces risk of transmission*

# Chain of Infection



# Hand Hygiene (HH)

- Is important not only for healthcare providers; everyone needs to practice appropriate and effective hand hygiene regardless of work setting
- Is the most important way to prevent spread of germs
- Reduces the number of microorganisms on hands
- Involves cleaning of hands with either soap & water or alcohol-based hand rub

# Personal Protective Equipment (PPE)

- PPE includes
  - Gowns
  - Gloves
  - Facial protection
    - Masks or N95 respirators (as indicated for specific precautions)
    - Eye protection



# Precaution Signage



- If any Precautions sign is posted, discuss with local area staff
- If any issues/concerns, contact Project Lead/Supervisor
- Do not enter the room unless you have been trained on use of PPE



# ICRA

Construction Activity				
Patient Risk Group	TYPE A	TYPE B	TYPE C	TYPE D
LOW	I	II	II	III/IV
MEDIUM	I	II	III	IV
HIGH	I	III	III/IV	IV
HIGHEST	II	III/IV	III/IV	IV



# Construction Type A

- Inspection and non-invasive activities
- No dust creation



# Construction Type B

- Small-scale, short-duration activities that create minimal dust



# Construction Type C

- Activities that generate a moderate to high level of dust, require demolition, require removal of a fixed facility component (e.g., sink) or assembly (e.g., countertop or cupboard), or cannot be completed in a single work shift.



# Construction Type D

- Activities that generate high levels of dust, and major demolition and construction activities that require consecutive work shifts to complete.



Construction Activity				
Patient Risk Group	TYPE A	TYPE B	TYPE C	TYPE D
LOW	I	II	II	III/IV
MEDIUM	I	II	III	IV
HIGH	I	III	III/IV	IV
HIGHEST	II	III/IV	III/IV	IV

# Risk Group 1 (low risk)



# Risk Group 2 (medium risk)





# Risk Group 3 (medium to high risk)





# Risk Group 4 (highest risk)



# How do they come together?

Infection Prevention & Control

**CARING**  
FOR HEALTH



Winnipeg Regional  
Health Authority  
*Caring for Health*

Office régional de la  
santé de Winnipeg  
*À l'écoute de notre santé*

Construction Activity				
Patient Risk Group	TYPE A	TYPE B	TYPE C	TYPE D
LOW	I	II	II	III/IV
MEDIUM	I	II	III	IV
HIGH	I	III	III/IV	IV
HIGHEST	II	III/IV	III/IV	IV

# Tightening a bolt on a desk in an office space

Risk Group 1



Construction Type A



# Preventative Measures 1

- Before Construction
- During Construction
- After Construction

# Repairing a small hole in the wall of a public entrance

Risk Group 1

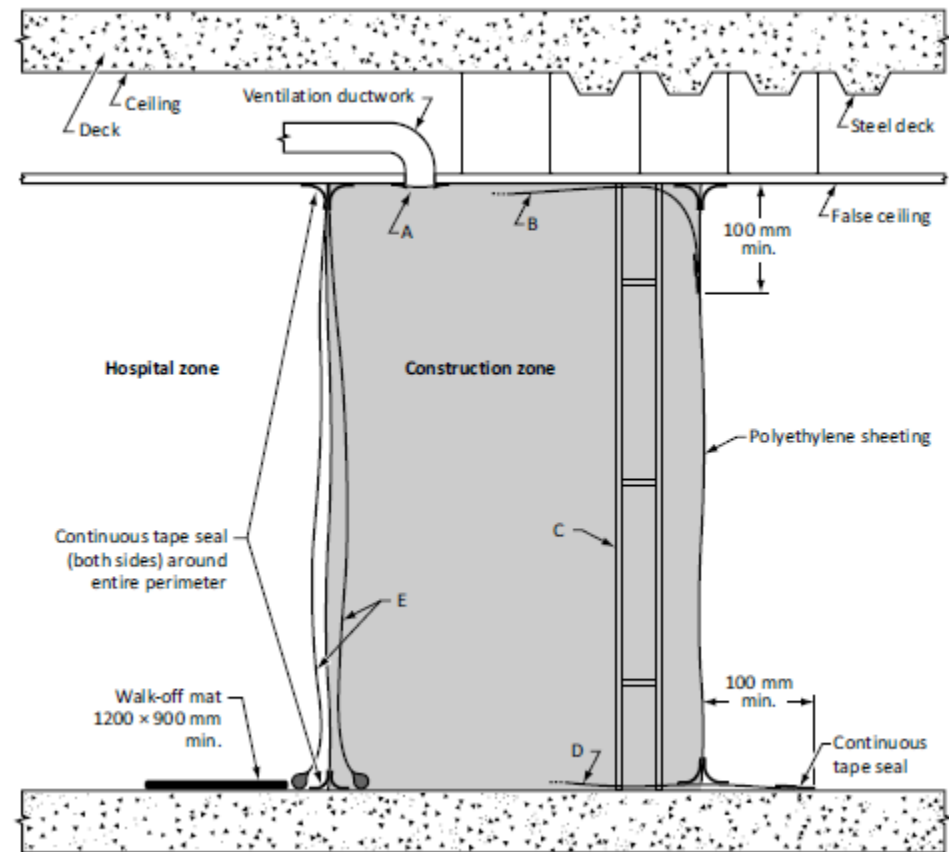
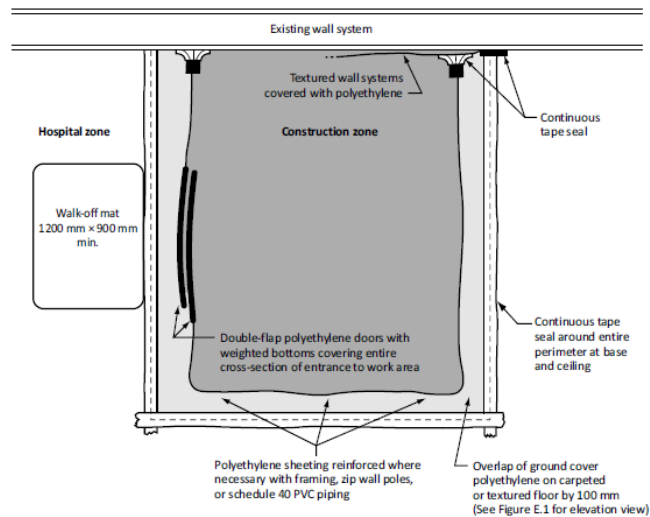


Construction Type B



# Preventative Measures 2

- Before Construction
- During Construction
- After Construction



# New flooring in a waiting room

Risk Group 2



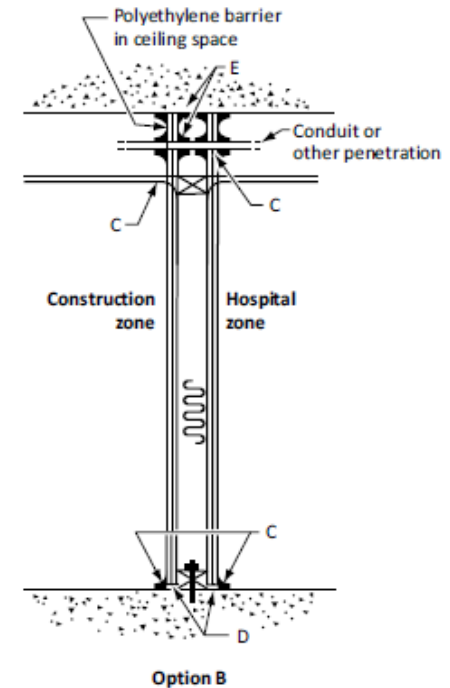
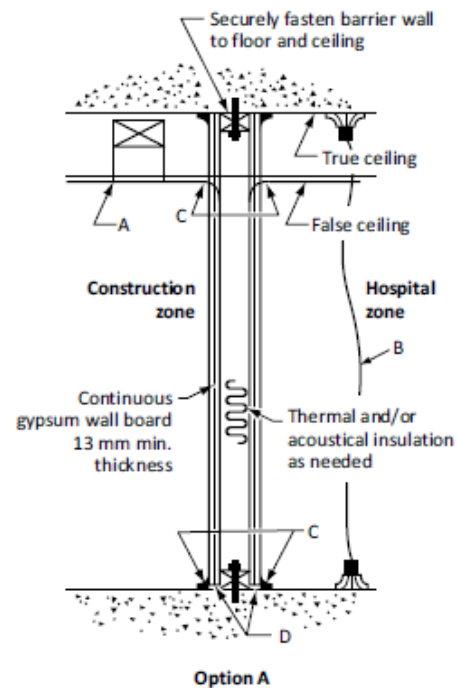
Construction Type C





# Preventative Measures 3

- Before Construction
- During Construction
- After Construction



# New cables in the OR

Risk Group 4

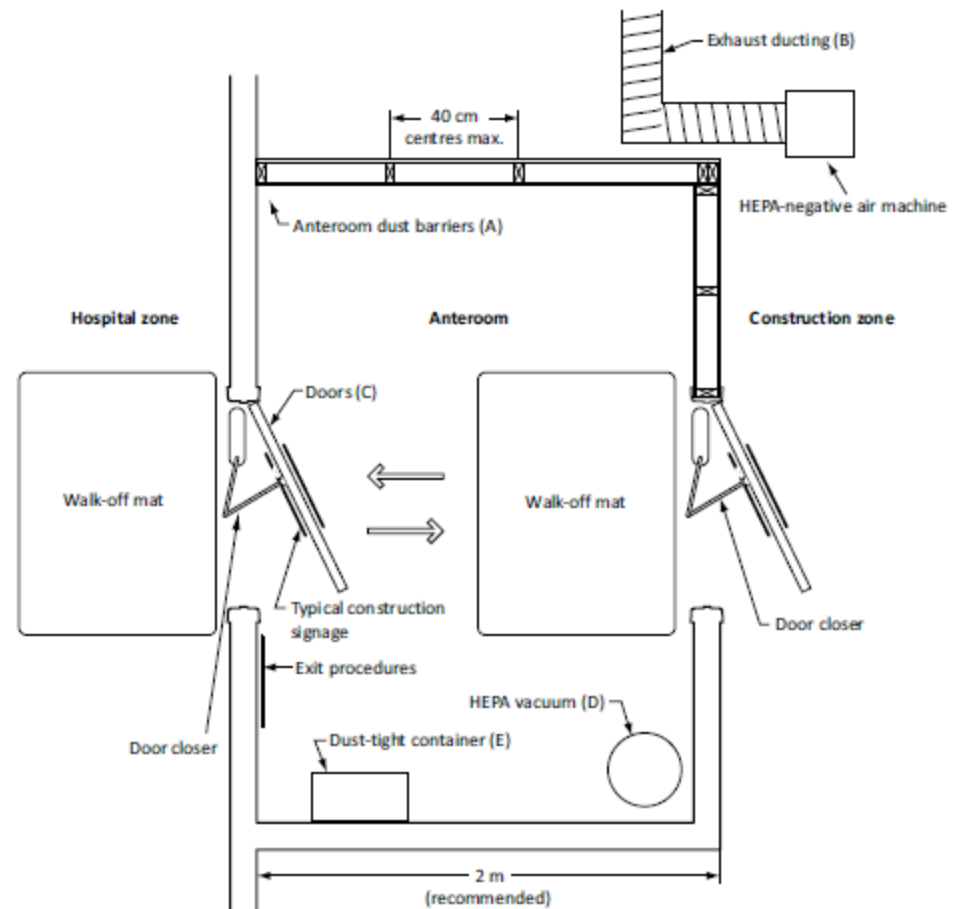
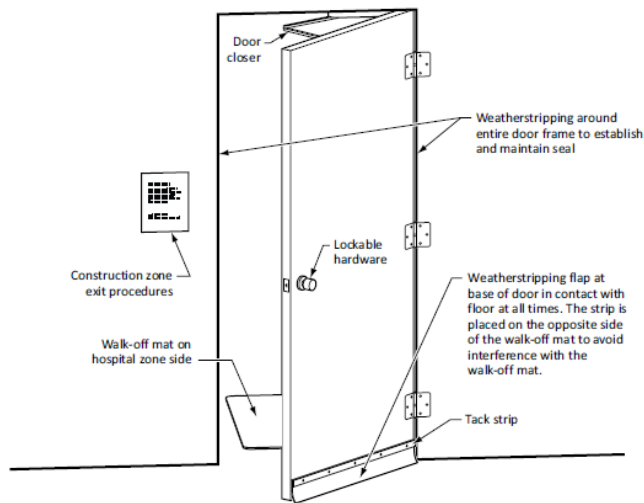


Construction Type C



# Preventative Measures 4

- Before Construction
- During Construction
- After Construction



Construction Activity				
Patient Risk Group	TYPE A Tightening a bolt	TYPE B Repairing a small hole in the wall	TYPE C New flooring	TYPE D New cables
LOW	I	II	II	III/IV
MEDIUM	I	II	III	IV
HIGH	I	III	III/IV	IV
HIGHEST	II	III/IV	III/IV	IV



# Take home message

- Critical thinking
- Clean work sites keep everyone safe

